

6

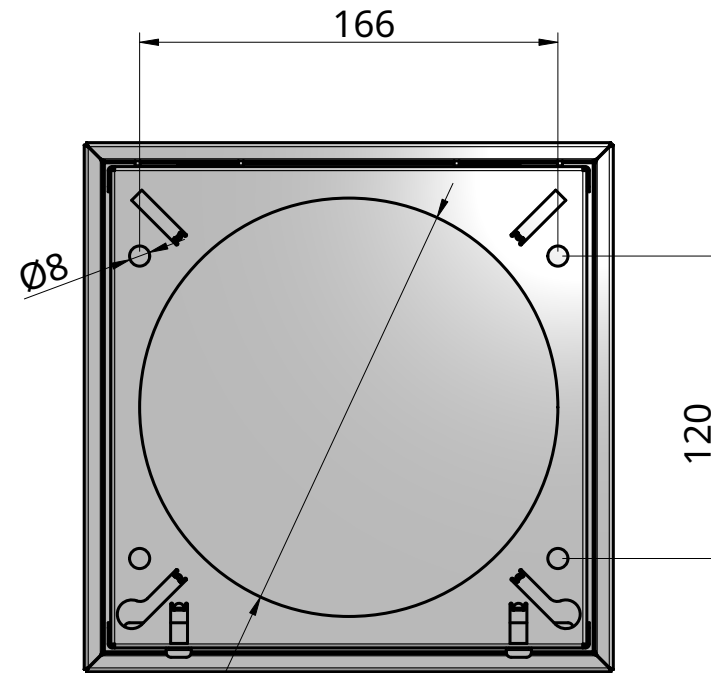
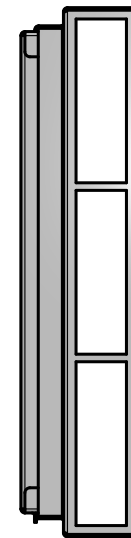
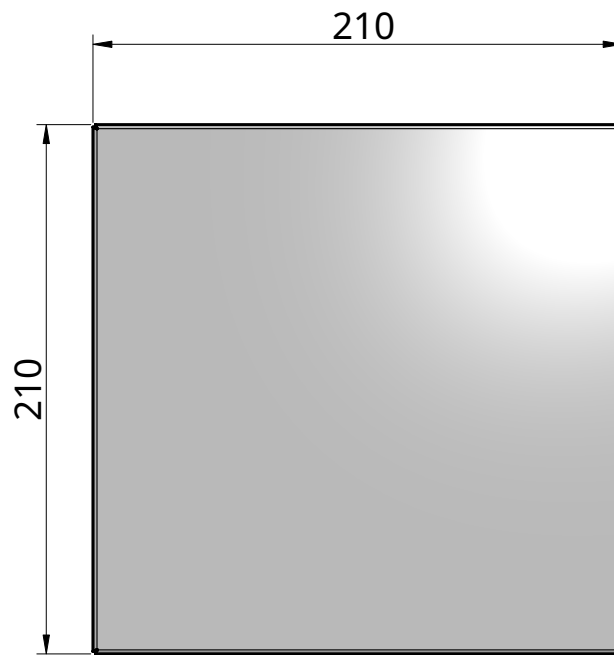
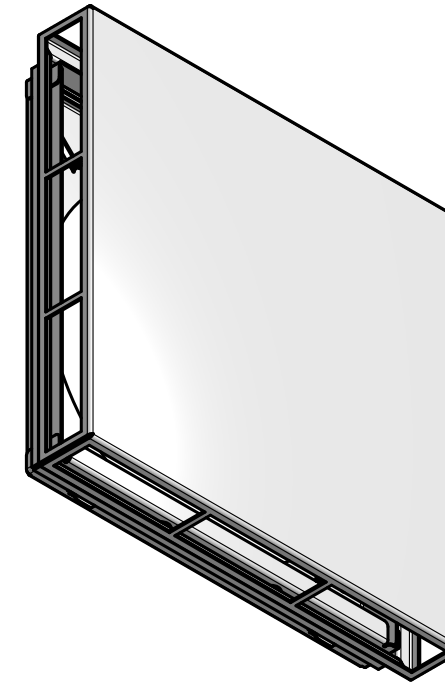
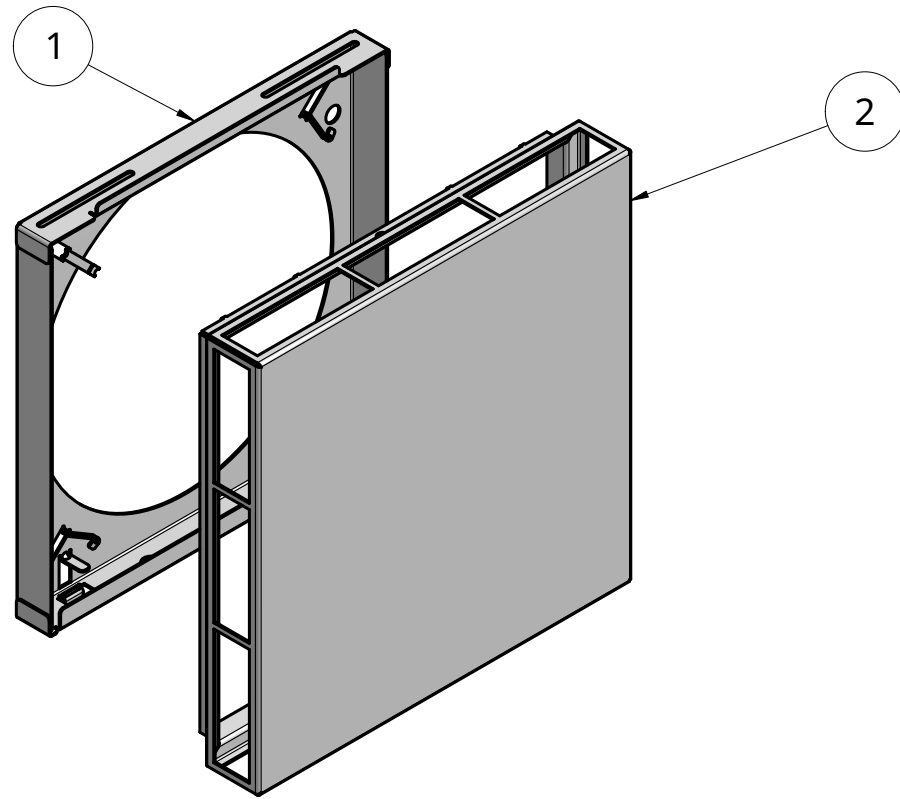
5

4

3

2

1



Item	Quantity	Part number	Description
1	1	C210011-010-0001	Base_plate
2	1	C210012-010-0001	Front_plate

UNLESS OTHERWISE SPECIFIED, DIMENSIONS ARE IN MILLIMETERS

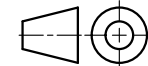
ANGULAR = ± °

SURFACE FINISH

DO NOT SCALE DRAWING

BREAK ALL SHARP EDGES AND REMOVE BURRS

FIRST ANGLE PROJECTION



	NAME	SIGNATURE	DATE
DRAWN	CHRISTIAN DEUTINGER		2022-03-15
CHECKED			
APPROVED			

Passiv Energie Austria GmbH

V2C5_EUCover_Innenabdeckung

SIZE	DWG NO.	REV.
A3	B210010-010-0001	
SCALE 1:3	WEIGHT	SHEET 1 of 1

6

5

4

3

2

1

D

D

C

C

B

B

A

A